

microSD Memory Card

High speed random access SD Card S Series
Fixed-Main-Parts SD Card K Series



Developed for implementation in industrial devices.
The microSD cards have a graspable product lifetime.

Product features

● High speed random access

Writing efficiency for small size data is increased, and random access becomes greatly faster.

● Enhanced Electrical Shut Down Durability

Even if control information were to be damaged from a power shut down, the backed up control information will self-repair the logical and physical conversion table by re-building the memory control information so the device will boot up.

● Speed Stability

The S Series, the memory management method is specialized for Random Access, which guarantees consistent performance even after extensive use.

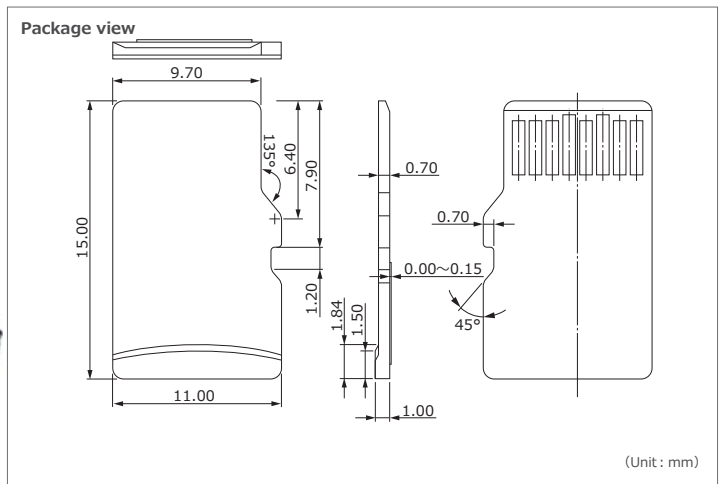
● Lifespan Diagnosis Support

We have developed a lifespan diagnostic tool dedicated to SD memory cards which allows our customers to check the state of the SD memory card in their environment setting.

*Only available for the Windows operating system.
Our exclusive reader/writer is required for lifespan diagnosis.



Exclusive Card Reader for Lifespan Diagnosis
Product Model Code: HPC-SDR1AD



S series

	Static wear leveling	Refresh Function	Read retry Function	Power loss guard Function	Off line scan	Fixed specifications	RoHS	FDE (Encryption)	Wide temperature	Environmental Documents	LiveMonitor
SLC	●	●	●	-	-	●	●	-	-	●	●
Q-MLC	●	●	●	-	-	●	-	-	-	●	●
MLC	●	●	●	-	-	●	-	-	-	●	●

K series

	Static wear leveling	Refresh Function	Read retry Function	Power loss guard Function	Off line scan	Fixed specifications	RoHS	FDE (Encryption)	Wide temperature	Environmental Documents	LiveMonitor
SLC	●	●	●	-	-	△	●	-	-	-	-
MLC	●	●	●	-	-	△	●	-	-	-	-

■ Static wear leveling ■ Refresh Function ■ Read retry Function ■ Power loss guard Function ■ Off line scan △ Fixed specifications **RoHS** RoHS compatibility **FDE** (Encryption) ● Implementation ○ Option
 ■ TCG Opal2.0 (U) ■ Lifetime Notification Function ■ Lifetime Notification LED ■ DevSleep Function ■ Power Shut Off Durability ■ Wide temperature ■ Environmental Documents **LiveMonitor**



Product Specifications

		S series			K series	
Flash Type		SLC	Q-MLC	MLC	SLC	MLC
Capacity		1GB~8GB	4GB~32GB	8GB~64GB	128MB,512MB~2GB	2GB~32GB
interface		SD 3.0				
Power SUPPLY Voltage		2.7V~3.6V				
Operating temperature	Wide temperature	-40℃~85℃	-25℃~85℃		-25℃~85℃	
	Storage temperature	-40℃~85℃				
Operating Humidity		~95% (non condensing)				
Storage Humidity		~95% (non condensing)				
Dimensions (mm)		11 × 15 × 1				
Performance	Sequential read (MB/s)	[UHS-1] 30	[UHS-1] 80	[UHS-1] 86	20	[UHS-1] 85
	Sequential write (MB/s)	[UHS-1] 27	[UHS-1] 72	[UHS-1] 76	18	[UHS-1] 43
	Random read (IOPS)	-	-	-	-	-
	Random write (IOPS)	-	-	-	-	-
Current consumption (mA)	Read (Max)	90	135	190	60	105
	Write (Max)	120	125	150	90	115
Warranty period		1year				

Product lineup

S series		128MB	512MB	1GB	2GB	4GB	8GB	16GB	32GB	64GB
SLC	-40~85℃	-	-	MSD6-001GS (**SDI)	MSD6-002GS (**SDI)	MSDB-004GS (**SDI)	MSDB-008GS (**SDI)	-	-	-
Q-MLC	-25~85℃	-	-	-	-	MSDB-004GS (N**QZS)	MSDB-008GS (N**QZS)	MSDB-016GS (N**QZS)	MSDB-032GS (N**QZS)	-
MLC	-25~85℃	-	-	-	-	-	MSDB-008GS (N**MZS)	MSDB-016GS (N**MZS)	MSDB-032GS (N**MZS)	MSDB-064GS (N**MZS)

K series		128MB	512MB	1GB	2GB	4GB	8GB	16GB	32GB	64GB
SLC	-25~85℃	MSD2-128MK (L**SEI)	MSD6-512MK (L**SEI)	MSD6-001GK (L**SEI)	MSD6-002GK (L**SEI)	-	-	-	-	-
MLC	-25~85℃	-	-	-	MSD6-002GK (L**MHI)	MSDB-004GK (L**MHI)	MSDB-008GK (L**MHI)	MSDB-016GK (L**MHI)	MSDB-032GK (L**MHI)	-

* management number

HAGIWARA Solutions

Hagiwara Solutions Co., Ltd.

Nagoya Headquarters
8F Pacific square NagoyaNishiki, 2-5-12Nishiki, Nakaku, Nagoya city, Aichi 460-0003, Japan
TEL.+81-52-223-1301
FAX.+81-52-223-1303

Tokyo Branch Office
7F NK-Shinwa building, 5-1 Kojimachi, chiyoda-ku, Tokyo 102-0081, Japan
TEL.+81-3-3556-5016
FAX.+81-3-3556-5018

Osaka Branch Office
8F Meiji Yasuda Life Insurance Company Osaka Midosuji building, 4-1-1 Fushimi-tyo, Chuo-ku, Osaka city, Osaka 541-0044, Japan
TEL.+81-6-6223-5011
FAX.+81-6-6223-5012

Fukuoka Sales Office
4F Higashihie square building, 3-12-16 Higashihie, Hakata-ku, Fukuoka city, Fukuoka 812-0007, Japan
TEL.+81-92-477-8207
FAX.+81-92-477-8208

<http://www.hagisol.com>

Inquiries hsolupport@hagisol.co.jp

- The company names and product names noted herein are trademarks or registered trademarks.
- The content of this catalog is subject to change without notice due to development and other factors.
- Hagiwara Solutions is not responsible for any loss or damage that may be incurred based to the content of this catalog.

Hagiwara Sys-Com US

23272 Mill Creek Drive, STE220
Laguna Hills, CA 92653 U.S.A.

Phone: +1-949-756-2028

sales@hsc-us.com

www.hsc-us.com